

BNC

AUTOCONTROL

FLOWMETER

POSITIVE DISPLACEMENT FLOW METER



BNC

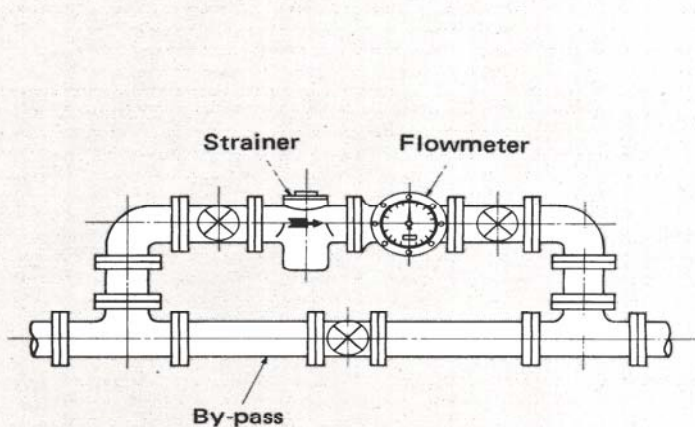
industrial co., ltd.

MODEL CODES:

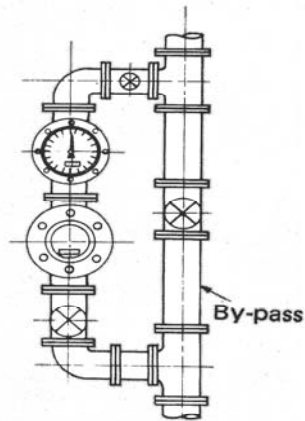
Basic Model	Size	Max. temp.	Mat'l	Display/output	Connection	Description	
RA	25					1" (25mm)	
	40					1-1/2" (40mm)	
	50					2" (50mm)	
	80					3" (80mm) 35 M3/Hr	
	80L					3" (80mm) 50 M3/Hr	
	100					4" (100mm) 50 M3/Hr	
	100L					4" (100mm) 120 M3/Hr	
	150L					6" (150mm) 250 M3/Hr	
		-0					80 °C
		-1					120 °C
	-2					180 °C	
		F				FC 25	
		S				SUS316	
				1		5 digit Flowrate/8 digit Totalizer	
				2		Totalizer 8 Digit/ Reset 5 Digit	
				3		Pulse output only	
				4		5 digit Flowrate/8 digit Totalizer/Pulse	
				5		5 digit Flowrate/8 digit Totalizer/4-20 mA	
				+ 6		Explosion Proof - Class I, Division I, Groups B,C&D	
				7			
					J10	JIS 10K FF	
					J20	JIS 20K FF	
					A15	ANSI 150#FF	
					A30	ANSI 300#FF	
					P10	PN 10	
					P16	PN 16	
					P20	PN 20	



INSTALLATION:



Horizontal piping arrangement
Left → Right



Vertical piping arrangement
Bottom → Top

Flow Range : Accuracy $\pm 0.5\%$

Unit : $m^3/hour$

Capacity type Note 1	Dia- meter	Terms Note 2	Fluid Viscosity	Petroleum								
				LPG	Gasoline	Kerosene	Light oil, grade-A heavy oi (high tem- perature)	Grade-A heavy oi	Grade-B heavy oil, Grade-C heavy oil, (high tem- perature)	Grade-C heavy oi		Highly viscous fluids
				0.1cP~	0.5cP~	2cP~	5cP~	10cP~	50cP~	150cP~	500cP~	2000cP~
25 40	25 40	Normal	Continuous	-	1~4.5	0.8~4.5	0.4~6	0.1~6	0.05~6	0.025~6	0.013~4.5	0.007~3.5
			Intermittent	-	1~6	0.8~6	0.4~7	0.1~7	0.05~7	0.025~7	0.013~6	0.007~4.5
		Maximum	-	7	7	8	8	8	8	8	7	6
40 50	40 50	Normal	Continuous	-	2~9	1.5~9	0.8~13	0.25~13	0.1~13	0.05~13	0.02~9	0.01~7.5
			Intermittent	-	2~13	1.5~13	0.8~15	0.25~15	0.1~15	0.05~15	0.02~13	0.01~9
		Maximum	-	15	15	17	17	17	17	17	15	13
80	80	Normal	Continuous	6.5~17	5~17	3.5~25	1.8~25	0.6~35	0.3~35	0.15~35	0.07~20	0.03~17
			Intermittent	6.5~28	5~28	3.5~35	1.8~35	0.6~40	0.3~40	0.15~40	0.07~35	0.03~28
		Maximum	35	35	40	40	45	45	45	45	35	28
80L 100	80 100	Normal	Continuous	13~35	8~35	5~35	2.5~50	1~50	0.5~50	0.25~50	0.12~35	0.06~28
			Intermittent	13~50	8~50	5~50	2.5~55	1~55	0.5~55	0.25~55	0.12~50	0.06~35
		Maximum	55	55	55	60	60	60	60	60	55	50
100L	100	Normal	Continuous	25~85	16~85	12~85	8~120	4~120	2~120	0.7~120	0.35~85	0.17~60
			Intermittent	25~120	16~120	12~120	8~130	4~130	2~130	0.7~130	0.35~120	0.17~85
		Maximum	130	130	130	140	140	140	140	140	130	120
150L	150	Normal	Continuous	65~150	50~150	35~180	25~200	20~200	15~220	10~230	4~200	2~150
			Intermittent	65~200	50~200	35~220	25~220	20~230	15~250	10~250	4~220	2~200
		Maximum	220	220	250	250	270	300	300	300	250	200

Remark:1. Intermitte : continue flowing under 8 hours

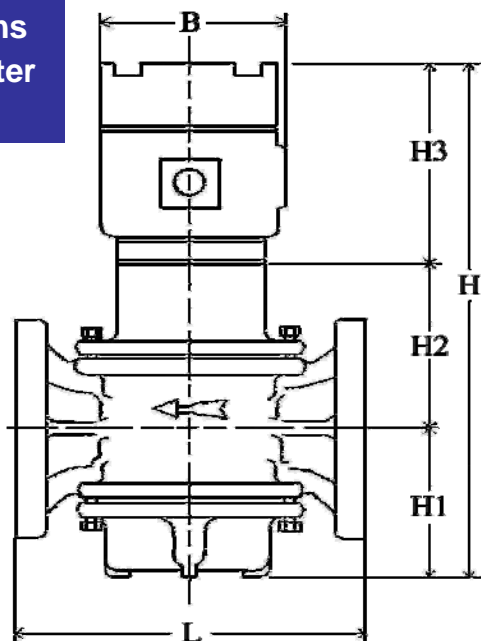
2. Continuous: continue flowing 8-24 hours

3. Maximum: Only can working in short period

Standard specifications

Counter	7 digit or 8 digit, rate 5 digit
Accuracy:	0.5% (0.2% possible)
Max. Pressure:	10kg/cm ² or 20kg/cm ²
Max. Temperature:	180°C
Connection	JIS, DIN, ANSI

Dimensions of flow meter



Model	L	H	B	H1	H2	H3	weight (kg)
RA25	200	288	115	78	70	140	15
RA40	200	288	115	78	70	140	18
RA50	250	340	115	105	95	140	22
RA80	320	420	115	144	136	140	45
RA80L/RA100	320	420	115	144	136	140	49
RA100L	425	610					173
RA150L	425	760					280